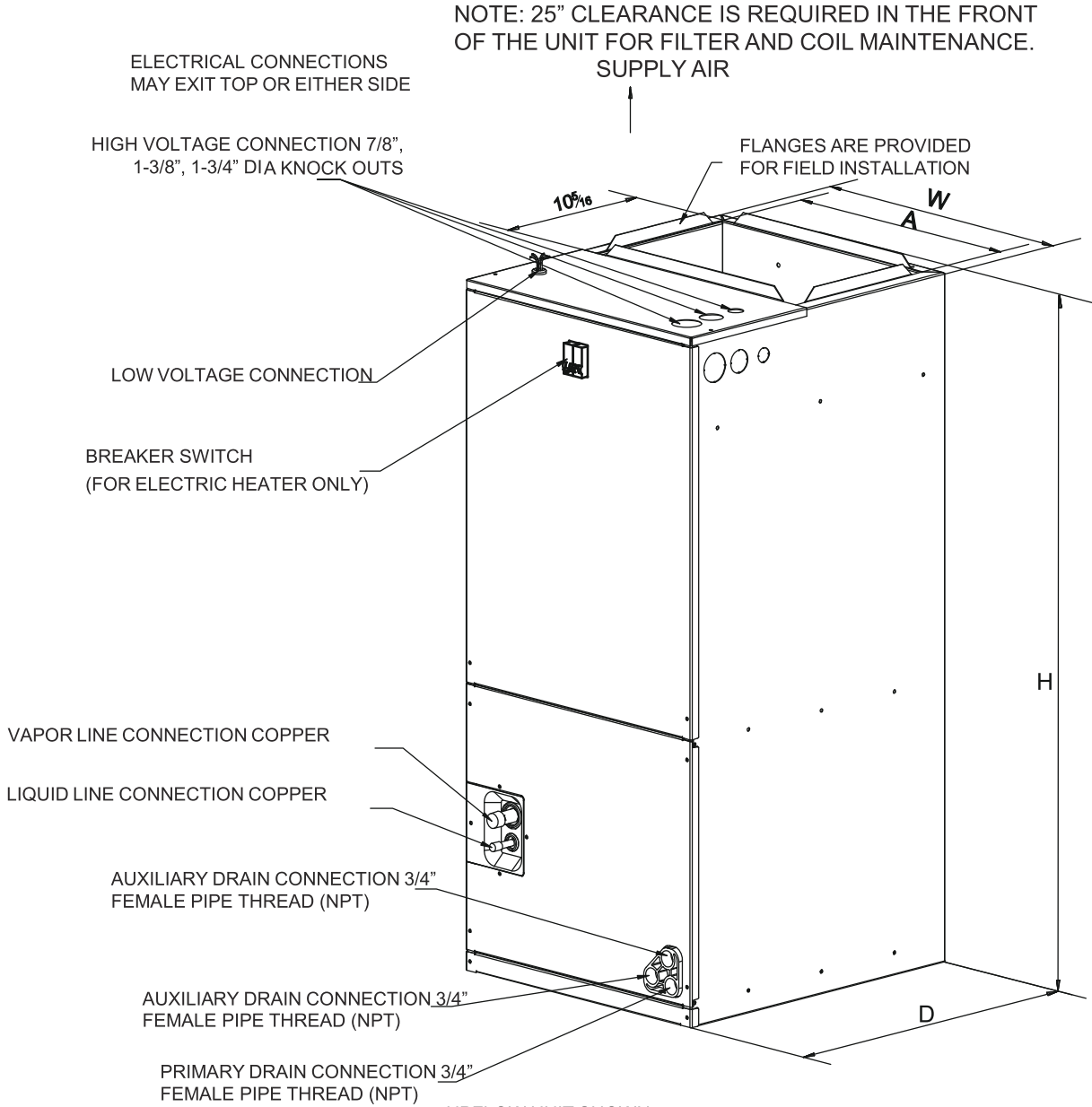




J5AH4P48A1C00AA

TAG: _____ **SUBMITTAL**

4 Ton
Multi-position PSC Air Handler
J5AH4P48A1C00AA



NOTE: All dimensions are in inches.

UPFLOW UNIT SHOWN; UNIT MAY BE INSTALLED UPFLOW, DOWNFLOW, HORIZONTAL RIGHT, OR LEFT AIR SUPPLY.

Model	W	H	D	A
J5AH4P48A1C00AA	22	54-1/2	24	19-1/2

PRODUCT SPECIFICATIONS

PRODUCT SPECIFICATIONS	
MODEL	J5AH4P48A1C00AA
RATED VOLTS/PH/HZ	208/230V/1Ph/60Hz
RATINGS	See O.D. Specifications
Min. Circuit Amps	4.3A
Max. Fuse or MAX CKT.BKR.	15A
INDOOR COIL — Type	Plate Fin
Rows — F.P.I.	4-17
Face Area (sq. ft.)	6
Tube Size (in.)	9/32
Refrigerant Control	Orifice
Drain Conn. Size (in.)	3/4 FPT
DUCT CONNECTIONS	See Outline Drawing
INDOOR FAN — Type	Centrifugal
MOTOR—Type	PSC
Diameter-Width (In.)	10 - 10
No. Used	1
Drive - No. Speeds	Direct - 3
CFM vs. in. w.g.	See Fan Performance Table
No. Motors — H.P.	1 - 1/2
Motor Speed R.P.M.	900
Volts/Ph/Hz	208/230V/1Ph/60Hz
F.L. Amps	3.4
FILTER	
Filter Furnished?	No
Type Recommended	Throwaway
No.-Size-Thickness	1 - 20 X 22- 1 in.
REFRIGERANT	R454B
Ref. Line Connections	Brazed
Coupling or Conn. Size — in. Gas	7/8
Coupling or Conn. Size — in. Liq.	3/8
RATED SOUND POWER LEVEL(dB)	73
DIMENSIONS	W × H × D
Crated (In.)	24-11/16× 55-3/16× 27-11/16
Uncrated	22× 54-1/2×24
WEIGHT	
Shipping (Lbs.) / Net (Lbs.)	176/159

Heater Kit Model Used	Electric Heat (kW)	Min. Circuit Ampacity		Max. Fuse or Breaker (HACR) Ampacity		Minimum Heating Blower Speed	
		240V	208V	240V	208V	Without HP	With HP
5JAYHTR1A05BK*	5	26.1	22.6	30	25	1400	1400
5JAYHTR1A08BK*	7.5	39.1	33.9	40	35		
5JAYHTR1A10BK*	10	52.1	45.2	60	50		
5JAYHTR1A15BK*	15	52.1/26.1	45.2/22.6	60/30	50/25		
5JAYHTR1A20BK*	20	52.1/52.1	45.2/45.2	60/60	50/50		

PRODUCT SPECIFICATIONS

Optional TXV kit part numbers. Some combinations may require a TXV. See AHRI for system combination ratings.

Outdoor Unit Capacity (Tons)	R454B TXV Kit
1.5-3.0	5AYTXVH3A1836A
3.5-4.0	5AYTXVH3A4248A
5.0	5AYTXVH3A6000A

Note: Factory set at Medium High Speed.

Motor Speed		AIR FLOW PERFORMANCE								
		J5AH4P48A1C00AA								
		External Static Pressure-Inches W.C. (kPa)								
			0(.0)	0.1(.02)	0.2(.05)	0.3(.07)	0.4(.10)	0.5(.12)	0.6(.15)	0.7(.17)
Low	CFM	1496	1441	1383	1326	1273	1214	1137	872	746
Medium	CFM	1798	1731	1660	1597	1529	1452	1376	1283	921
High	CFM	1970	1896	1819	1737	1662	1580	1501	1411	1291

Mechanical Specifications

- Unique Cabinet Design
- Metal shell and glass cotton thermal insulation layer
- Multi-Position UP/Down Flow Horizontal Left /Right
- Braze in Refrigerant Connection
- Primary/Secondary Condensate Connections
- Blower with Integrated Slide Deck for Easy Removal
- Inner-groove aluminum tube and high-efficiency aluminum fin Coil with Integrated Slide Deck for Easy Removal
- More auxiliary Electric Heaters optional
- PSC 3 Speed Motor
- High Efficiency
- Integrated Horizontal Drain pans and metal Vertical Drain
- Fused 24V Power
- Suitable for Manufactured/Mobile Home Use.



The manufacturer has a policy of continuous product and product data improvement and it reserves the right to change design and specification without notice.

BX-PRQ- J5AH4P48A1C00AA-1A